

# XLYK

## LINEAR SERIES

A series of linear downlight luminaires with a slimmer width ranging from just 25mm to 44mm in variations with trim, trimless or tilt. Sleek as it is pronounced, Xlyk linear downlights are designed with deep optics and reflector for excellent glare control to provide comfortable illumination.



### Fixture Features



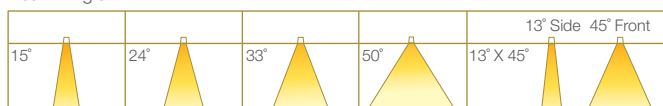
IP54

### Module Colour Temperature Variation



ProART

Beam Angle



### Driver Dimming Variation



(ND)



(PH)



(AN)



(DA)

# XLYK 5

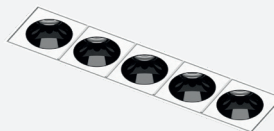
10W SLIM LINEAR RECESSED DOWNLIGHT



#FIX  
#TRIM



#TILT  
#TRIM



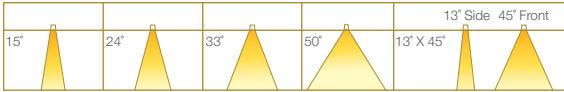






#FIX  
#TRIMLESS

## TECHNOLOGY AND FEATURES




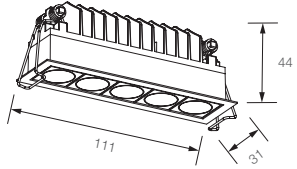

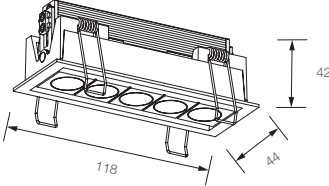
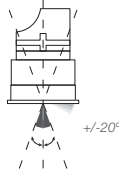

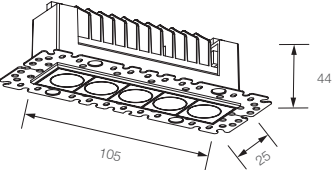
Low Flicker,  
No Risk  
(IEEE 1789)

AVAILABLE OPTIONS

<b>FIXTURE COLOUR OPTIONS</b>	Trim Colour Options	Reflector Colour Options			
	MATT WHITE RAL9003  MATT BLACK RAL9011	MATT WHITE RAL9003	MATT BLACK RAL9011	CHROME	CHROME BLACK
<b>LED MODULE</b>	SINGLE CCT				
	 				
<b>DRIVER DIMMING</b>	   				
	(ND) (PH) (AN) (DA)				

# XLYK 5

## DIMENSIONS (MM)

XLYK 5 TRIM	 104 x 25 cutout		(FIX)
XLYK 5 TRIMLESS	 108 x 28 cutout		 +/-20° (TILT)
XLYK 5 TRIMLESS	 112 x 38 cutout		(FIX)

# XLYK 5

## SPECIFICATIONS

FIXTURE	
Family Type	Xlyk series
Fixture Colours	Matt white, matt black
Reflector Colours	Matt white, matt black, chrome and chrome black
Materials	Aluminium, plastic
Ingress Protection	IP54 for fix version, IP40 for tilt version
Weight	210g
LED MODULE & DRIVER	
Family Type	Built-in LED module (non-modular)
Typical Operating Voltage	15V
Typical Operating Current	700mA
System / Input Power	12W
Lifetime	50,000 hours (80% lumen maintenance at Ta = 25°C), B10

Beam Angles	15°, 24°, 33°, 50°, 13°x45°
Colour Temperatures	2700K, 3000K, 3500K, 4000K, 5000K
CRI	ProART (CRI~95)
SDCM	3 step MacAdam ellipse binning
Dimming	Non-dim, phase (leading & trailing edge), 0-10V, DALI
Mains Connection	Push-pin or screw terminals for convenient connection
Mains Voltage	220-240V, 50Hz
Power Factor	>0.9
Fire Safety	Glow wire test 850°C, UL94V-0, VW-1
Flammability Mark	F
Safety Class	Class 2
Standards	IEC 60598-1, IEC 61347-2-13
Regulatory Markings	CE, CB, CCC, RCM, BIS, RoHS

## PHOTOMETRICS

### XLYK 5

Beam Angle	Height (m)		E <sub>max</sub> (lx)					XLYK 5			Luminous Flux (lm)
			15°	24°	33°	50°	13° x 45°	LED Power	System Power	CRI	3000K 15°, 24°, 33°, 50°, 13° x 45°
15°	1	E(0°)	6470	3731	2139	1133	2067	10W	12W	ProART CRI-95	766
		Cone Ø 0° (m)	0.24	0.41	0.58	0.86	0.24				
		Cone Ø 90° (m)	0.30	0.41	0.58	0.95	0.86				
24°	2	E(0°)	1618	933	535	283	517	10W	12W	ProART CRI-95	766
		Cone Ø 0° (m)	0.48	0.82	1.15	1.71	0.48				
		Cone Ø 90° (m)	0.60	0.83	1.15	1.89	1.71				
33°	3	E(0°)	719	415	238	126	230	10W	12W	ProART CRI-95	766
		Cone Ø 0° (m)	0.73	1.23	1.73	2.57	0.72				
		Cone Ø 90° (m)	0.90	1.24	1.73	2.84	2.57				
50°	4	E(0°)	404	233	134	71	129	10W	12W	ProART CRI-95	766
		Cone Ø 0° (m)	0.97	1.64	2.31	3.43	0.95				
		Cone Ø 90° (m)	1.20	1.66	2.31	3.78	3.43				
13°x45°	5	E(0°)	259	149	86	45	83	10W	12W	ProART CRI-95	766
		Cone Ø 0° (m)	1.21	2.05	2.89	4.29	1.19				
		Cone Ø 90° (m)	1.49	2.07	2.89	4.73	4.29				

Data are based on maximum output at highest CCT (6000K).  
2700K will have a nominal data value of 10% lower than published.  
Nominal CRI-95, equals to Ra>90-97, R9>50

# XLYK 5

## ORDERING MATRIX CHART

Fixture					LED Module					Driver																
Type	Trim Options		Angle		Colour		Reflector Colour		LED Power		Beam Angle		Colour Temp		CRI		Dimming									
XLYK-5	T	Trim	FX	Fix	WH	Matt White	WH	Matt White	10	10W	15	15°	27	2700K	PA	ProART	ND	Non-Dim								
				Tilt		MB		Matt Black			MB	Matt Black		24				24°	30	3000K	PH	Phase				
			TL	Tilt	MB	Matt Black	MB	Matt Black			CR	Chrome	50	50°				40	4000K	AN	0-10V					
												CB							Chrome Black		13x45	13°x45°	50	5000K	DA	DALI
																			CB					Chrome Black		13x45
												CB									Chrome Black	13x45	13°x45°	50	5000K	

example: XLYK-5.T.FX.WH.CB.10.15.30.PA.ND

Fixture					LED Module					Driver																
Type	Trim Options		Angle		Colour		Reflector Colour		LED Power		Beam Angle		Colour Temp		CRI		Dimming									
XLYK-5	X	Trimless	FX	Fix	WH	Matt White	WH	Matt White	10	10W	15	15°	27	2700K	PA	ProART	ND	Non-Dim								
				Tilt		MB		Matt Black			MB	Matt Black		24				24°	30	3000K	PH	Phase				
			TL	Tilt	MB	Matt Black	MB	Matt Black			CR	Chrome	50	50°				40	4000K	AN	0-10V					
												CB							Chrome Black		13x45	13°x45°	50	5000K	DA	DALI
																			CB					Chrome Black		13x45
												CB									Chrome Black	13x45	13°x45°	50	5000K	

example: XLYK-5.X.FX.WH.CB.10.15.30.PA.ND